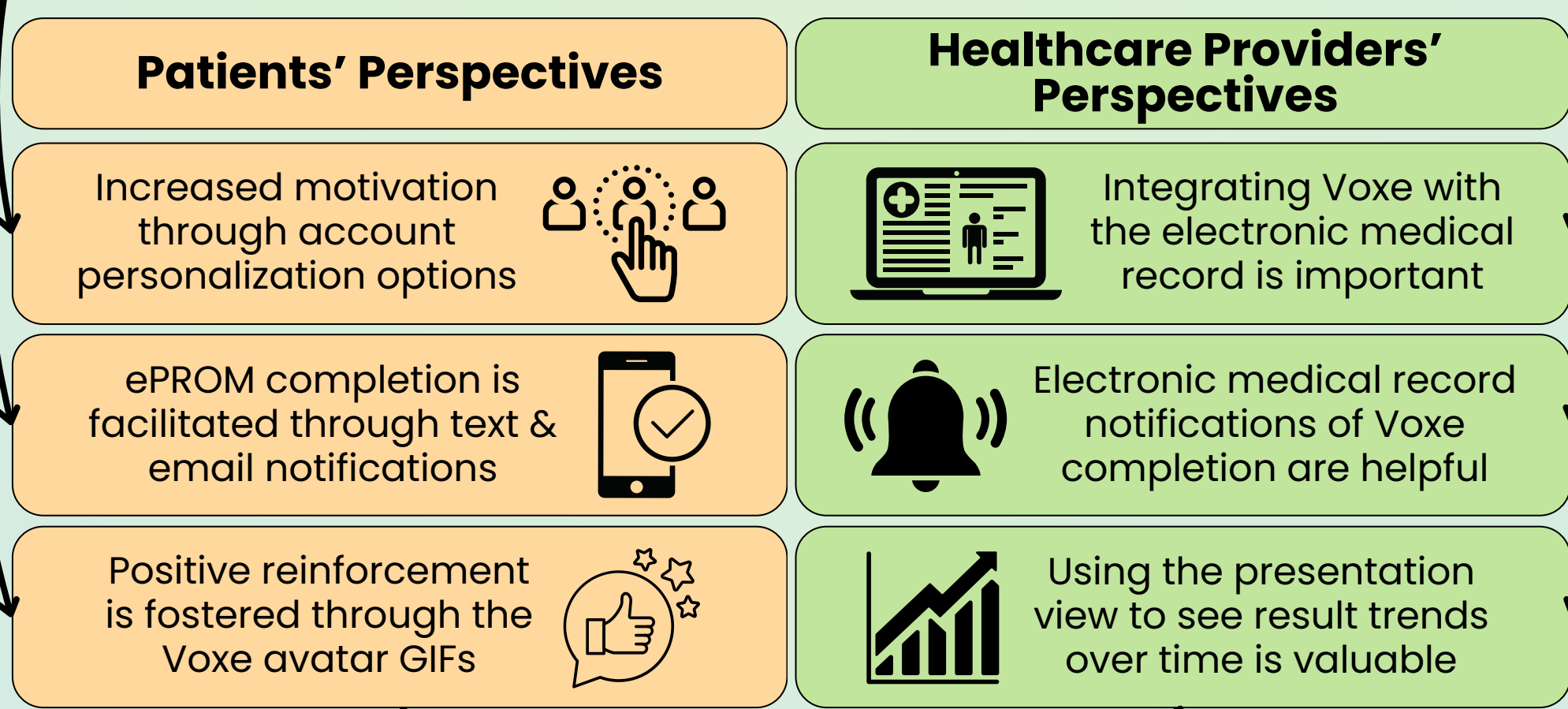
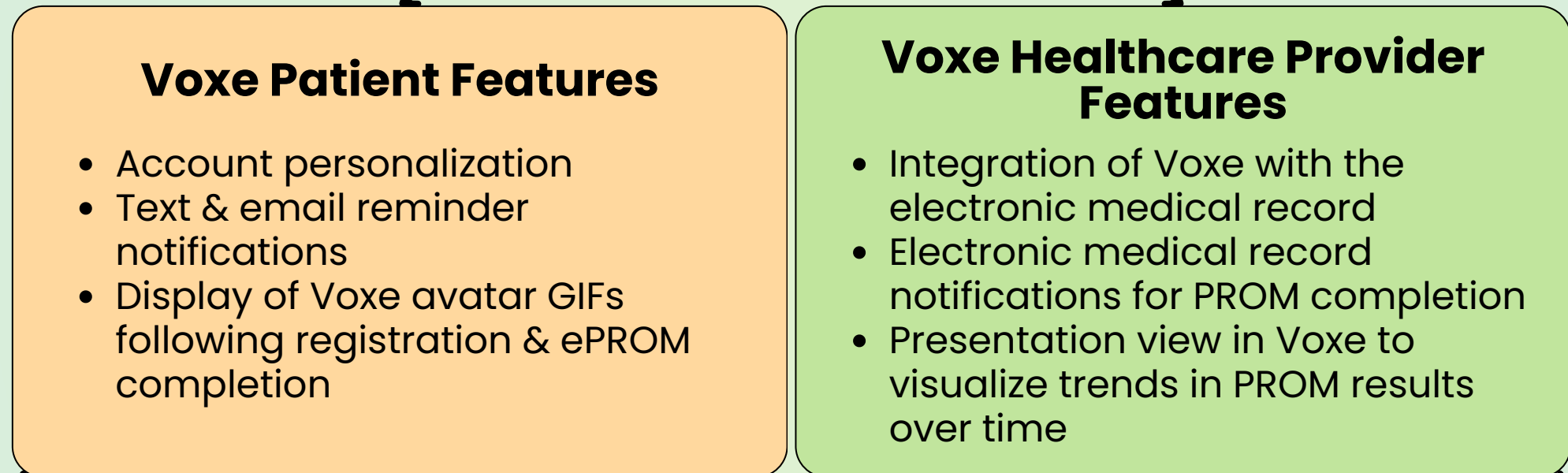
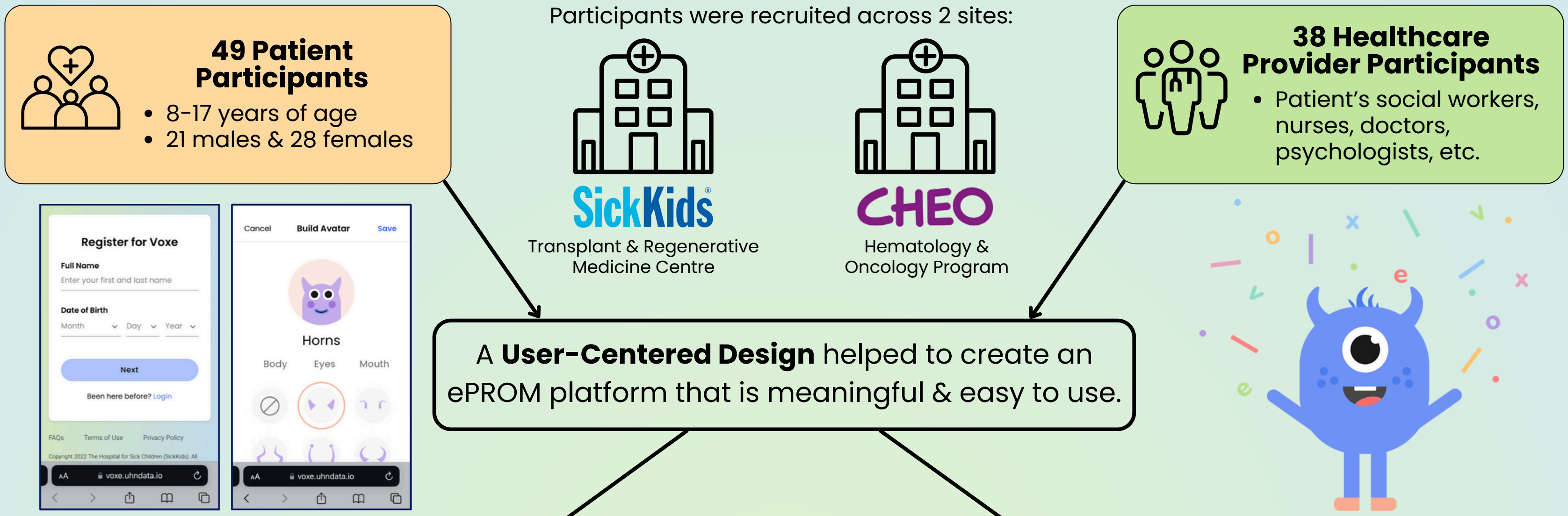


Design & Usability of **Voxe**



Voxe is a pediatric **electronic patient-reported outcome measure** (ePROM) platform that is being used in clinical care.

PROMs are questionnaires that patients complete to tell their healthcare providers about their symptoms, functioning & quality of life.



"My favourite part was building the avatar... [it] makes doing something for the hospital actually fun."
- Patient



"...I think it [GIFs] would make them [patients] feel better & happier."

"They [GIFs] help me feel like 'yay I did something good'."
- Patients

"I think it would really be very useful if you know that link could happen between Voxe [& the electronic medical record]...I think it has to be as seamless as possible."
- Healthcare Provider



"...when I look at the graphs...it makes sense to me...how it could spark discussion like, this is where you were at last time. This is where you're at now."
- Healthcare Provider

Patients' & healthcare providers' positive feedback & evaluation of Voxe's **user-friendliness** & **efficiency** suggest **Voxe is a valuable & promising tool** to use **patient-reported outcome data** in clinical care.

It is **important to meaningfully engage users** from the start when developing an electronic health platform to **ensure an efficient & effective design**.